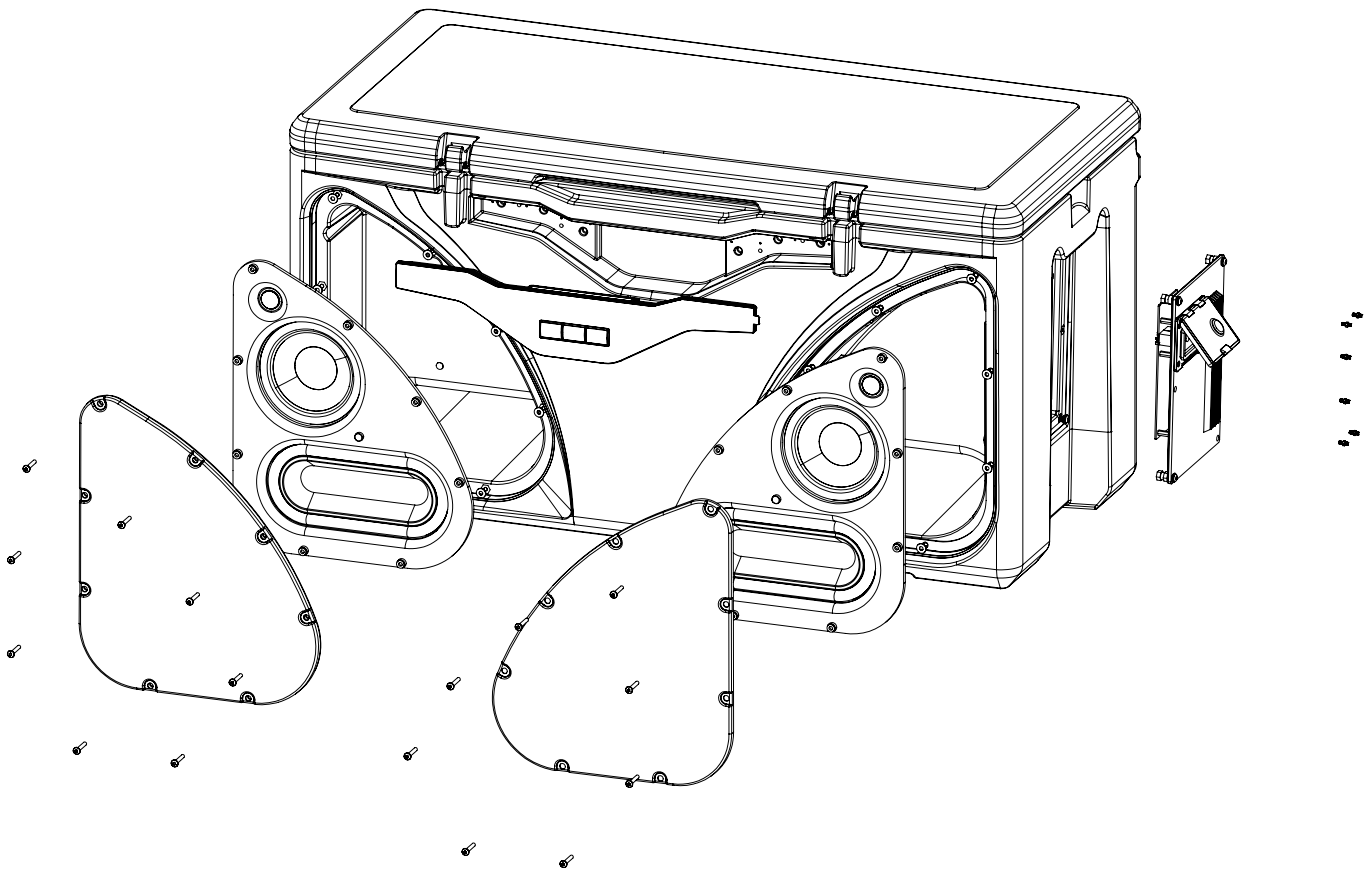


# PWD-CB1

## Alpine ICE

### In-Cooler Entertainment System

### Assembly Manual



#### Introduction

- Design and specifications are subject to change without notice for improvement

#### To Ensure Safe Use, Always Follow These Precautions

- The installation of these parts require specialized skills and experience. We recommend that you have the product installed by an Alpine authorized dealer. Before you use this product, be sure to carefully read the separate user's manual so that you can use the product correctly. Alpine Electronics bears no responsibility for problems that arise as a result of failure to follow the instructions in the manual.

## Warranty Exchange Policy


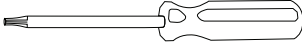
- Alpine Electronics of America, Inc. provides a one-year limited warranty for the PWD-CB1 speakers, control panel assembly, and amplifier assembly only. Any issues regarding the Grizzly Cooler, such as handles or latches should go directly to Grizzly at 800-553-0050.
- Alpine Electronics of America, Inc. will provide exchanges for in-warranty defective speakers, control panel assembly, and amplifier assembly (Part numbers listed below) under the current Field Destruct policy. The Alpine Sales Representatives and other designated personnel are required to inspect and verify the defective products to determine the eligibility for exchange. Defective components are not to be sent back to Alpine.
- For in warranty speaker, control panel assemblies, and amplifier assembly, please contact your Alpine Sales Representative or call 800-421-2284. Speaker/Accessory Warranty Exchange requests will not be processed without the prior approval of your Alpine Sales Representative.
- Upon Receipt of the request, Alpine's Order Management Department personnel will process an exchange order for the defective speakers, amplifier assembly, and the control panel assembly. The exchanged speakers, amplifier assembly, and the control panel assembly will be shipped directly to the dealers or requesters address indicated on the request form via UPS ground service.

Part #	Description
ALP-CB1-SPK-ASSY-L	Left Speaker Assembly
ALP-CB1-SPK-ASSY-R	Right Speaker Assembly
ALP-CB1-CTRLPAN-AS	Control Panel Assembly
ALP-CB1-AMP-ASSY	Amplifier Assembly

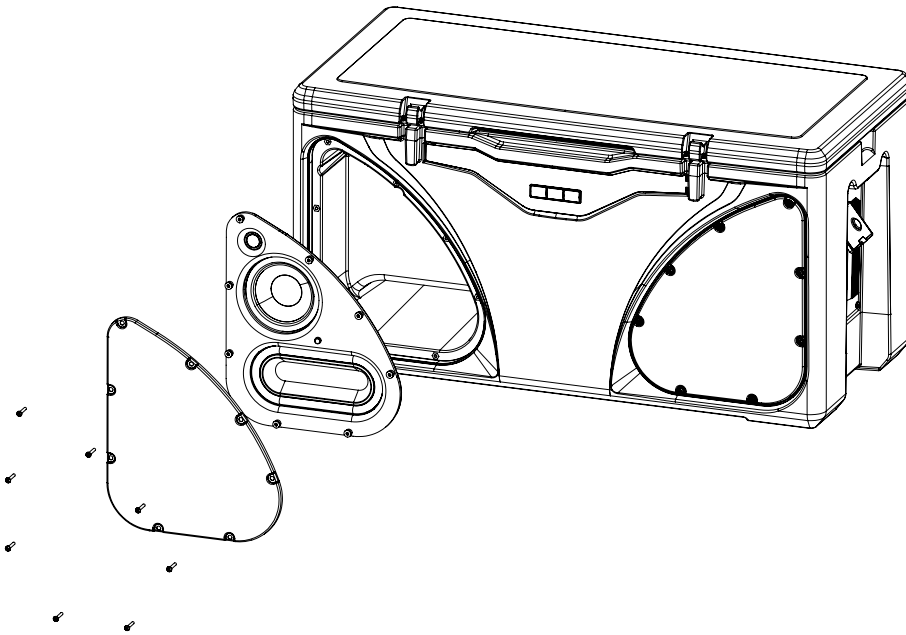
## Grizzly Coolers Exchange Policy

- Grizzly Coolers LLC warrants Grizzly Coolers to be free from manufacturers' defects in material or workmanship under normal use and service for a lifetime from the date of original purchase. This warranty is your exclusive warranty and there are no warranties that extend beyond the description warranted here. If warranty applies, Grizzly Coolers shall either repair the product or component or provide you with a replacement product or component if defective under the terms of this warranty within the lifetime of the original purchaser. The warranty is not transferable. Owner must present original proof of purchase to obtain warranty service. Dealers, service centers or retail stores do not have the right to change the terms and conditions of the warranty. This warranty is not valid if the product or components have been:
  - (1) used commercially
  - (2) damaged through abuse, misuse or neglect
  - (3) damaged in an accident
  - (4) unreasonably used or used for any purpose for which it was not intended
  - (5) repaired or altered in any way from its original configuration
  - (6) damaged due to any act of nature
- Normal wear and tear, including dents, slight warping, delaminating, scratches, discoloration, fading, no sticking graphics or wear to skid pads is not covered under this warranty. Loss of parts or components removed from the product is not covered under the terms of this warranty. Grizzly Coolers is not responsible for incidental or consequential damage resulting from any malfunction. Grizzly Coolers reserves the right to change products and designs without incurring any obligations to incorporate such changes into already completed products, or those in the possession of dealers or consumers. Coolers repaired or replaced under this warranty may or may not incorporate these changes. Please carefully review the care instructions manual for proper use and care of your Grizzly Cooler.

## Tools Required

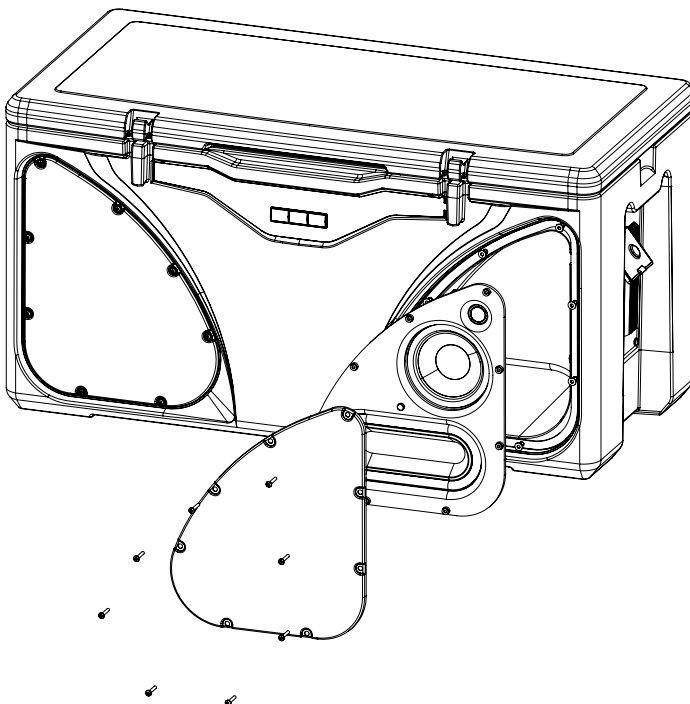
Panel Removing Tool	T20 Torx
	

## Removing Left Speaker Assembly



- 1) Remove (8) T20 torx screws.
- 2) Remove speaker grill
- 3) Pull entire speaker assembly
- 4) Disconnect speaker wire from speaker crossover. The entire assembly will now remove.
- 5) Reassemble by following the previous 4 steps in reverse order

## Removing Right Speaker Assembly

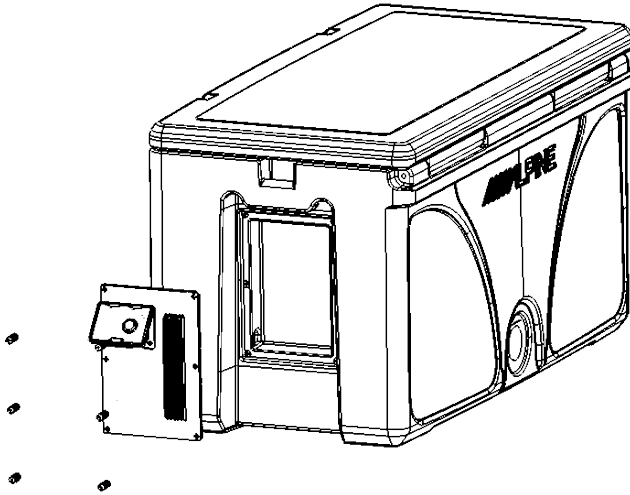


- 1) Remove (8) T20 torx screws.
- 2) Remove speaker grill
- 3) Pull entire speaker assembly
- 4) Unclip speaker wire from speaker crossover. The entire assembly will now remove.
- 5) Reassemble by following the previous 4 steps in reverse order

---

## Removing Amplifier Assembly

---

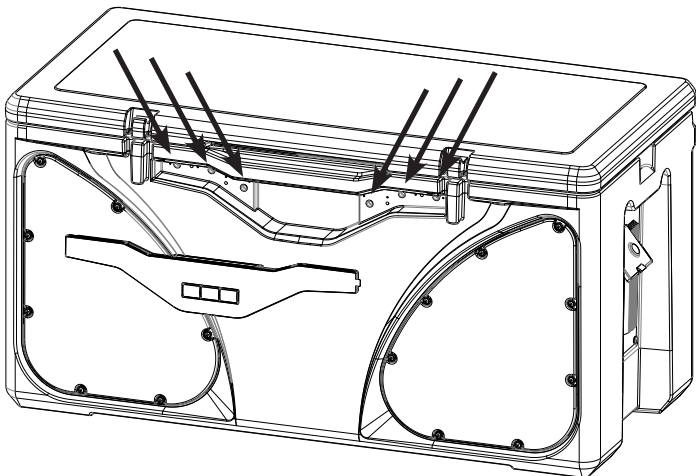


- 1) Remove (6) T20 torx screws. Be careful not to lose the rubber grommets behind the screws. Those are required for the seal.
- 2) Unclip the 2 ribbon harnesses attached to the amplifier boards.
- 3) Remove the amplifier assembly
- 4) Reassemble by following the previous 3 steps in reverse order

---

## Removing Control Panel Assembly

---



- 1) Using a plastic panel removal tool, unclip (6) clips behind panel. Note: it's easiest to start on the angle toward the middle. DO NOT use a screwdriver. You will cause damage to the PWD-CB1.
- 2) Remove right speaker assembly (following instructions on page 3).
- 3) Remove amplifier assembly (following instructions above).
- 4) Pull ribbon cable through installation holes and remove control panel assembly. Note: in the top hold behind the control panel there is some silicone. When removing be careful of this.
- 5) Reassemble by following the previous 4 steps in reverse order